

SensoIRIS MIO04 4 Outputs Module

EN54-18

Description

SensoIRIS MIO04 is an addressable module with 4 relay outputs. The module is designed for application in addressable fire alarm systems, supporting TTE communication protocol.

The module controls 4 relay outputs.

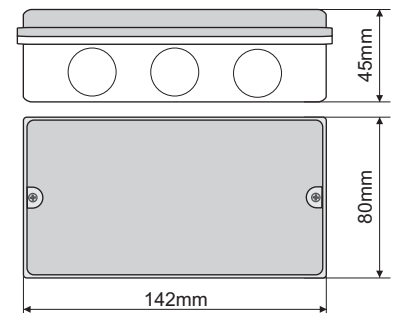
SensoIRIS MIO04 is powered on from the fire panel and can be controlled via the communication protocol.

The module is mounted in a separate small plastic box suitable for wall mounting, with transparent cover for visual inspection.



Technical and Environmental Specifications

Operating Voltage Range	15 - 32VDC
Consumption, stand-by mode	175 μ A@27VDC
Nom. current consumption	220 μ A@27VDC
Outputs, electrical characteristics (max.)	DC 30V/1A; AC 125V/0,5A
Current consumption with 1 LED on	4mA
Wire Gauge for terminals	0.4mm ² - 2.0mm ²
Operating temperature	-10°C to +60°C
Relative humidity resistance	(93 \pm 3)% @ 40°C
Protection	IP67
Weight	~230g
Material (plastic), color	ABS, White
Dimensions	142 x 80 x 45mm



1293-CPD-0258

Packing Information

- **Single packing** - 1 unit SensoIRIS MIO04, packed in ESD protected envelope.
- **Carton packing box** - 40 units SensoIRIS MIO04, dimensions 496 x 305 x 206 mm.

Compatible Product Range

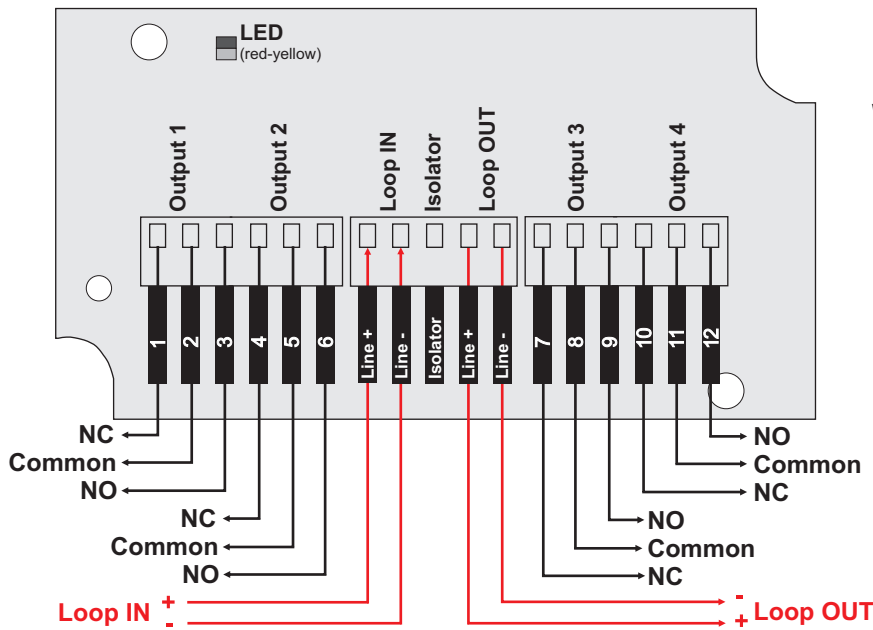
- **IRIS** - Addressable Fire Panel
- **IRIS TTE Loop** - Loop Expander for one loop
- **SensoIRIS Programmer** - Address Programming Tool

Contact Information

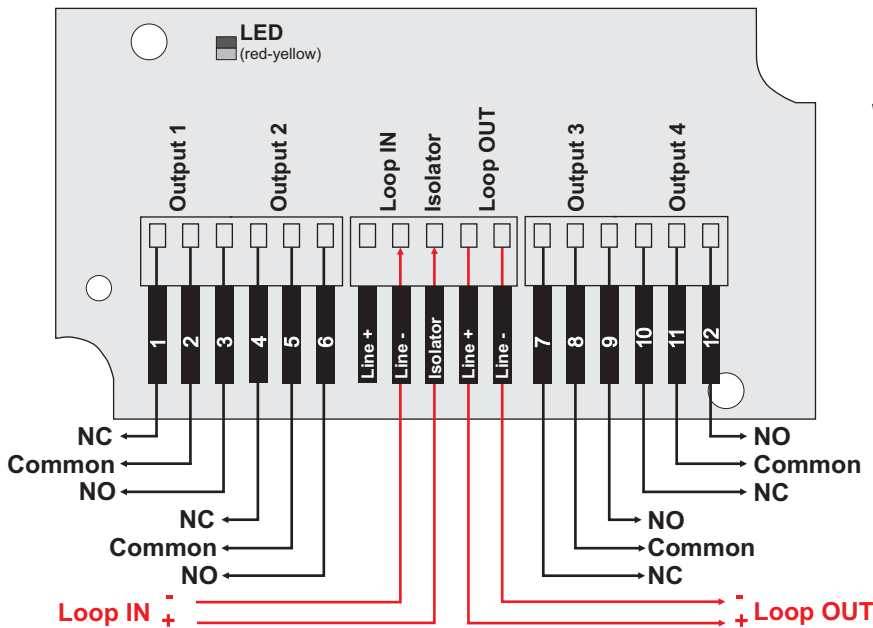
SensoIRIS MIO04 4 Outputs Module

EN54-18

● Connection Diagrams



Without using the built-in isolator module.



With using the built-in isolator module.

● Contact Information