

SensoIRIS MIO40 4 Inputs Module

EN54-18

Description

SensoIRIS MIO40 is an addressable module with 4 inputs for monitoring of analogue signals. The module is designed for application in addressable fire alarm systems, supporting TTE communication protocol.

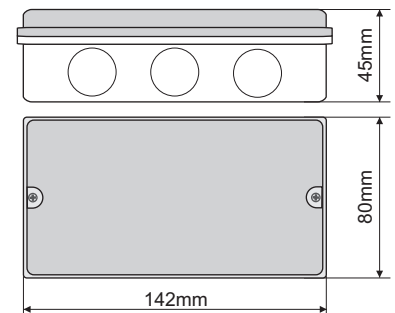
SensoIRIS MIO40 is powered on from the fire panel and can be controlled via the communication protocol.

The module is mounted in a separate small plastic box suitable for wall mounting, with transparent cover for visual inspection.



Technical and Environmental Specifications

Operating Voltage Range	15 - 32VDC
Consumption, stand-by mode	175 μ A@27VDC
Nom. current consumption	220 μ A@27VDC
Current consumption with 1 LED on	4mA
Current consumption with 2 LEDs on	7mA
Wire Gauge for terminals	0.4mm ² - 2.0mm ²
Operating temperature	-10°C to +60°C
Relative humidity resistance	(93 \pm 3)% @ 40°C
Protection	IP67
Weight	~230g
Material (plastic), color	ABS, White



1293-CPD-0258

Packing Information

- **Single packing** - 1 unit SensoIRIS MIO40, packed in ESD protected envelope.
- **Carton packing box** - 40 units SensoIRIS MIO40, dimensions 496 x 305 x 206 mm.

Compatible Product Range

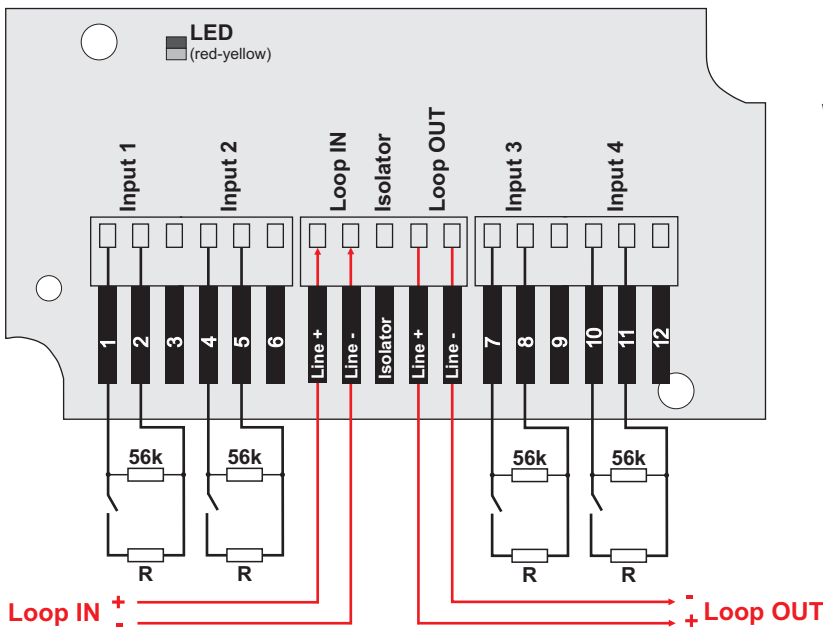
- **IRIS** - Addressable Fire Panel
- **IRIS TTE Loop** - Loop Expander for one loop
- **SensoIRIS Programmer** - Address Programming Tool

Contact Information

SensoIRIS MIO40 4 Inputs Module

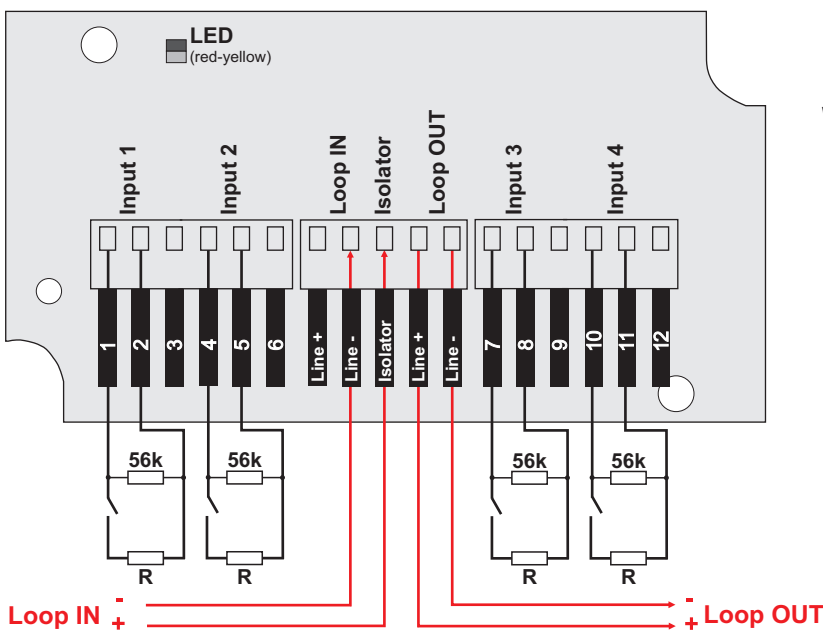
EN54-18

● Connection Diagrams



Without using the built-in isolator module.

R - 39k



With using the built-in isolator module.

R - 39k

● Contact Information