

SensoIRIS T110 Temperature Fire Alarm Detector

EN54-5

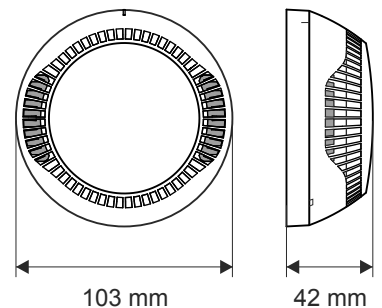
Description

SensoIRIS T110 is an addressable temperature detector designed for installing in addressable fire alarm systems supporting TTE communication protocol. The detector is powered on from the panel and can be controlled via the communication protocol.



Technical and Environmental Specifications

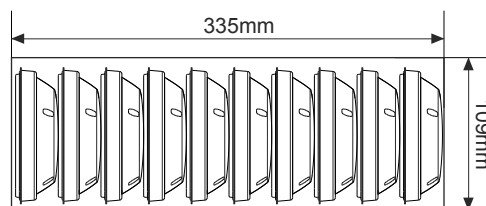
Operating Voltage Range	15 - 30VDC (Nom. 27VDC)
Consumption in quiescent state, no communication	< 130µA@27VDC
Consumption in quiescent state, with communication	< 180µA@27VDC
Consumption in alarm state, with communication	6.5mA
Class, selectable from control panel	A1R, A2R, BR, CR, A1S, A2S, BS, CS
Protected area (in accordance with EN54-5)	up to 35m ²
Installation height (in accordance with EN54-5)	up to 3.5m
Output in alarm state at terminal RI (terminals 4/ 1)	7.5 mA (max)/ 7.5V
Wire Gauge for terminals	0.4mm ² - 2.0mm ²
Operating temperature	-10°C to +65°C
Relative humidity resistance	(93 ± 3)% @ 40°C
Protection	IP30
Weight (including base)	~110g
Dimensions (including base)	103x42mm



1293-CPD-0293

Packing Information

• **Master box** - 10 units SensoIRIS T110, dimensions 335 x 109 x 109 mm, without base.
All detectors are protected with a plastic cap.



Compatible Product Range

- **IRIS** - Addressable Fire Panel
- **IRIS TTE Loop** - Loop Expander for one loop
- **SensoIRIS FRI-1** - Remote Fire Indicator
- **SensoIRIS B124** - Standard Base
- **Deep Base** - Accessory for mounting on rough surfaces, outdoor pipelines, etc.
- **SensoIRIS Programmer** - Address Programming Tool

Contact Information:

SensoIRIS T110 IS Temperature Fire Alarm Detector

EN54-5

Description

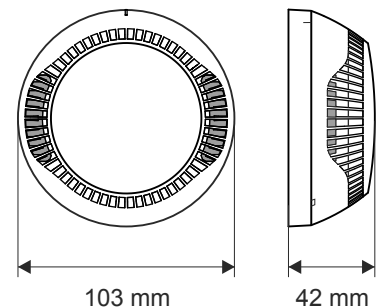
SensoIRIS T110 IS, is an addressable temperature detector with built-in isolator module, designed for installing in addressable fire alarm systems supporting TTE communication protocol.

The detector is powered on from the panel and can be controlled via the communication protocol.



Technical and Environmental Specifications

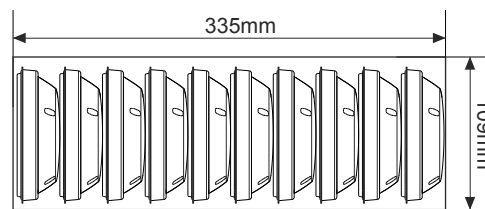
Operating Voltage Range	15 - 30VDC (Nom. 27VDC)
Consumption in quiescent state, no communication	< 170 μ A@27VDC
Consumption in quiescent state, with communication	< 290 μ A@27VDC
Consumption in alarm state, with communication	6.5mA
Class, selectable from control panel	A1R, A2R, BR, CR, A1S, A2S, BS, CS
Protected area (in accordance with EN54-5)	up to 35m ²
Installation height (in accordance with EN54-5)	up to 3.5m
Output in alarm state at terminal RI (terminals 4/ 1)	7.5 mA (max)/ 7.5V
Wire Gauge for terminals	0.4mm ² - 2.0mm ²
Operating temperature	-10°C to +65°C
Relative humidity resistance	(93 \pm 3)% @ 40°C
Protection	IP30
Weight (including base)	~110g
Dimensions (including base)	103x42mm



1293-CPD-0293

Packing Information

• **Master box** - 10 units SensoIRIS T110 IS, dimensions 335 x 109 x 109 mm, without base.
All detectors are protected with a plastic cap.



Compatible Product Range

- **IRIS** - Addressable Fire Panel
- **IRIS TTE Loop** - Loop Expander for one loop
- **SensoIRIS FRI-1** - Remote Fire Indicator
- **SensoIRIS B124** - Standard Base
- **Deep Base** - Accessory for mounting on rough surfaces, outdoor pipelines, etc.
- **SensoIRIS Programmer** - Address Programming Tool

Contact Information: