

ML MAGlogger 1.1 (Memory LOG Module)

Installation and Operation Manual

1. General Description

MAGlogger is a LOG module for recording and viewing of events in MAG8Plus Fire Control Panel. All of the events are stored in a non-volatile memory. The LOG module has a real time clock powered from own battery. The information for the events is received by interface with the MAG8plus Fire Control Panel.

Kit of the supplied equipment:

- MAGlogger PCB – 1 pc.
- Connection cable to MAG8plus control panel – 1 pc.
- Mounting screws – 4 pcs.

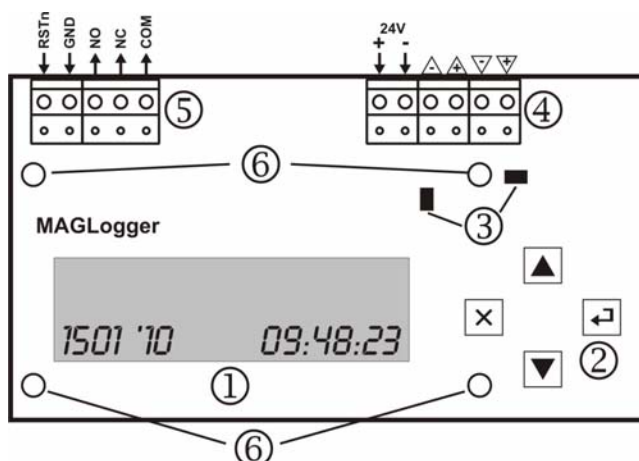
2. Functional Characteristics

- ◆ Real time clock with built-in battery
- ◆ LOG Memory for 510 events
- ◆ Input RESET
- ◆ Relay output RESET
- ◆ MAG8Plus special interface
- ◆ Operation keypad – 4 buttons
- ◆ LCD display with backlight
- ◆ Multilanguage menus - 8 languages
- ◆ Small size and possibility for mounting into the MAG8Plus box

3. Technical Specifications

- | | |
|--|------------------|
| ◆ Operation power supply | 17 ÷ 30 VDC |
| ◆ Nominal voltage | 24 VDC |
| ◆ Consumption in stand-by mode (average) | 25 mA |
| ◆ Consumption with activated backlight | 55 ± 2mA |
| ◆ Max. consumption with activated backlight and relay output | 76 ± 2mA |
| ◆ Clock accuracy | max. 7 sec/month |
| ◆ Dimensions of MAGlogger PCB | 125x66mm |

4. Elements of MAGlogger



The basic elements of MAGlogger are:

1. LCD display for listing the events.

2. Buttons for operation and settings:

▲	Up arrow	Viewing the menus; setting the date, time and language
▼	Down arrow	Viewing the menus; setting the date, time and language
×	Cancel	Rejecting the entered data; Exit from menu
↵	Enter	Enter in a menu; Confirmation of the entered data according the current status

3. LED indicators for presence of power supply from the control panel and communication status (transmitting and receiving data form the control panel – fast blinking in orange).

4. Terminals for connecting to MAG8plus control panel:

+ / - 24V	- Power supply from MAG8Plus control panel
△	- Transmitting data to MAG8Plus control panel
▽	- Receiving data from MAG8Plus control panel

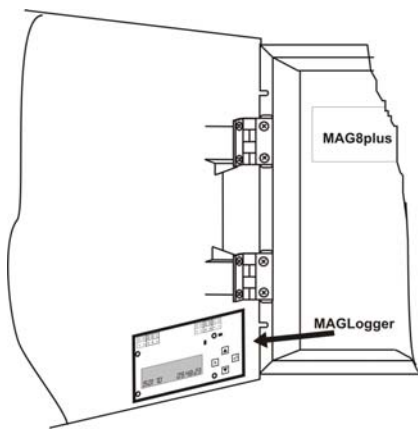
5. Terminals for connecting of auxiliary devices:

RSTn / GND	- Input for RESET
NO / NC / COM	- Relay output for RESET

6. Mounting holes.

5. Mounting and Connecting of MAGlogger

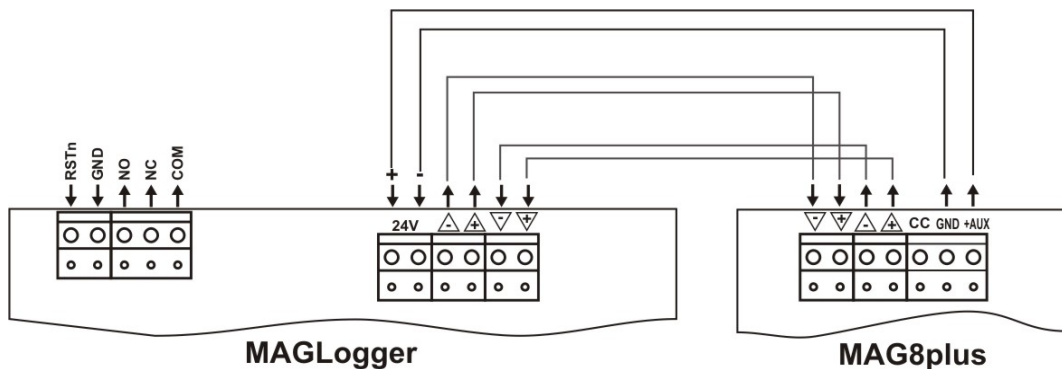
Attention: Switch OFF the main and back-up power supply of MAG8plus control panel before mounting and connecting the MAGlogger module!



Installation steps of MAGlogger:

1. Open the front cover of MAG8plus and switch off the main power supply and the battery.
2. Mount the MAGlogger PCB as shown on Picture 1 - on the internal side of the cover, over the printer opening, with the LCD display on top.
3. Fix the MAGlogger PCB to the cover with the supplied in the kit mounting screws.
4. Connect the module to MAG8Plus Control Panel as shown on Picture 2, using the supplied connection cable in the set.

Picture 1 - Mounting place and position of MAGlogger in MAG8Plus box



Picture 2 – Connection diagram of MAGlogger to MAG8Plus

1. Switch on the main and back-up power supply of MAG8Plus.
2. If necessary, set the date, time and language of MAGlogger.

6. Operation with MAGlogger module

6.1 Initial power-up

Attention: By default the menus are in English. If you want to choose another language, see item 6.2.3 Language setting.

With the initial power-up of the MAGlogger the display shows:



MAGLOGGER VX.X
INITIALIZING...

where X.X is the software revision of the module.

MAGlogger enters in normal operation mode:






001 POWER ON
1501 '10 08:45:20

on the upper row is shown the last event in the system: **Power On**, and on the lower - the current set date and time in format DDMM 'YY HH:MM:SS.

Note: The last event in the system usually is **Panel Reset** if there is a connected fire panel to the MAGlogger module.


6.2 Menus

In normal operation mode, press the ENTER button () to enter the **menus mode**. Use the buttons UP ARROW () and DOWN ARROW () to select a menu.

There are 4 menus in MAGlogger setting structure (*Note: The 4. PANEL ADDRESS menu would be active in the next software revision of the module*):

1. EVENT HISTORY – viewing the memory LOG events in the system
2. SET DATE/TIME – setting the date and real time clock
3. LANGUAGE – setting a language (8 different languages are possible English, Bulgarian, Turkish, Romanian, Italian, Portugal, Spanish and French)
4. PANEL ADDRESS – not available and visible for the user

6.2.1 – Event viewing (EVENT HISTORY)

In normal operation mode, press the ENTER button () to enter the **menus mode**. The display shows:



EVENT HISTORY





Press the ENTER button () to enter the submenu for viewing the LOG events. The display shows **the last event** in the module LOG memory with number, date and time of happening. With pressing the DOWN ARROW button () the user can review all the events up to the **first one** at initial power-up MAGlogger. Use the UP ARROW button () to review the events again from the first to the last one. Press the CANCEL button () to exit the menu. The module returns to normal operation mode.

Table of events:

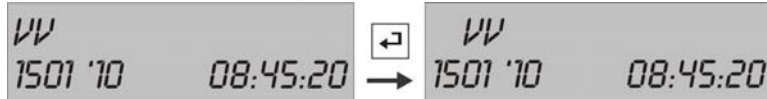
Event	Description
Panel Reset	The RESET button of MAG8plus control panel has been pressed.
Snd Fault	Fault in the sounder circuit.
Snd Flt Rst	The fault of the sounder circuit is restored.
Snd Enabld	The sounders are enabled.
Snd Disbld	The sounders are disabled.
Fire Zn XX	Fire in the zone, where XX is the zone number.
Test Zn XX	Test in the zone, where XX is the zone number.
Fault Zn XX	Fault in the zone, where XX is the zone number.
Restore Zn XX	The zone fault is restored, where XX is the zone number.
Disabld Zn XX	Disabled zone, where XX is the zone number.
Enabled Zn XX	Enabled zone, where XX is the zone number.
Power On	Initial power-up of the MAGlogger module.

6.2.2 – Setting the date and time (SET DATE/TIME)

In normal operation mode, press the ENTER button (↵) to enter the *menus mode*. Press the DOWN ARROW button (▼). The display shows:

SET DATE/TIME

Press the ENTER button (↵) to enter the submenu for setting the date and time. The fields have the following format: DDMM 'YY HH: MM:SS (day/month/year hour/minutes/seconds). A “VV” symbol appears over the set field. The value of every field can be increased with pressing the UP ARROW button (▲) or decreased with DOWN ARROW button (▼). Press the ENTER button (↵) to confirm the entered value – the symbol “VV” moves over the next field, and so on till the end of the display to the field for setting the seconds.



The user can reject the entered values at any time with pressing the CANCEL button (✕). The module returns back to normal operation mode without saving the date and time.

To confirm and save the entered date and time press the ENTER button (↵), when the symbol “VV” is over the field for setting the seconds. The module returns back to normal operation mode with the date and time.

6.2.3 – Language setting (LANGUAGE)

In normal operation mode, press the ENTER button (↵) to enter the *menus mode*. Press the DOWN ARROW button (▼) twice. The display shows:

LANGUAGE

Press the ENTER button (↵) to enter the submenu for setting the language. Use the DOWN ARROW (▼) and UP ARROW (▲) buttons to select the new language. Confirm your choice with pressing the ENTER button (↵). The module returns back in normal operation mode.

7. Application – Menu structure

