

SensolIRIS WSST IS

Addressable Wall Mount Sounder&Strobe

EN54-3/ 17/ 23

Description

SensolIRIS WSST IS is an addressable Wall Mount Sounder and Strobe designed for installing in addressable fire alarm systems supporting TTE communication protocol. The device is powered on from the panel and can be controlled via the communication protocol. SensolIRIS WSST IS has a built-in isolator module. The device SensolIRIS WSST IS is compatible with fire bases B124 for ceiling or wall mounting and WSB IP65 for wall mounting.



Technical and Environmental Specifications

Operating Voltage Range	16 - 32VDC (Nom. 27VDC)
Nominal consumption (stand-by)	<500µA@27VDC
Maximal consumption (main tone type 27):	
- low volume level, sound only	<5mA
- low volume level, sound and strobe	<12mA
- high volume level, sound only*	<16.5mA
- high volume level, sound and strobe*.	<22mA
Maximal consumption (other tone types):	
- low volume level, sound only	<4mA
- low volume level, sound and strobe	<11mA
- high volume level, sound only	<10mA
- high volume level, sound and strobe	<16.5mA
Power volume (main tone type 27):	
- low volume	~ 80dB (A) ± 6dB @ 1m
- high volume*.	~ 92dB (A) ± 5dB @ 1m
Power volume (other tone types):	
- low volume	75-85dB ± 3dB @ 1m
- high volume	80-95dB ± 3dB @ 1m
Number of tone types	32
Supported communication protocol.	TTE
Wire Gauge for terminals	2.5mm ²
Relative humidity resistance	(93 ± 3)% @ 40°C
Protection	IP21C
Color	white transparent
Material	SAN

* **Note:** Approved to EN54-3 only!

1293-CE-17

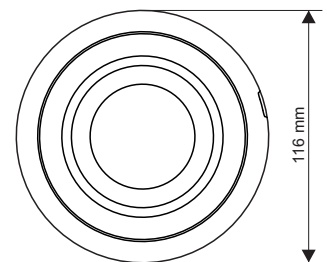
 DoP No: 006

 1293-CPR-0462 Rev.1

 Tested by EVPU

LPCB

 1139d/01



Packing Information

- **Packing box** - 1 unit SensolIRIS WSST IS, dimensions 117x120x57mm.
- **Carton box** - 40 units SensolIRIS WSST IS, dimensions 520x250x367mm.

Compatible Product Range

- **IRIS** - Addressable Fire Panel, 4 loops, 96 zones
- **SIMPO** - Addressable Fire Panel, 2 loops, 48 zones
- **SensolIRIS Programmer** - Address Programming Tool
- **SensolIRIS B124** - Standard Base, indoor mounting
- **SensolIRIS WSB IP65** - Waterproof IP65 Base, outdoor mounting

Contact Information:

SensoIRIS WSST IS Addressable Wall Mount Sounder&Strobe

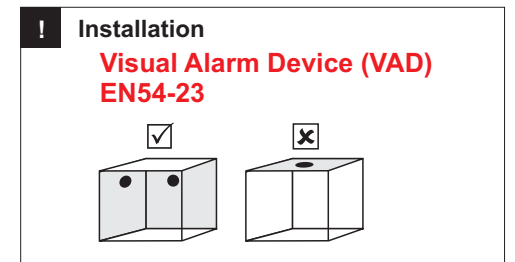
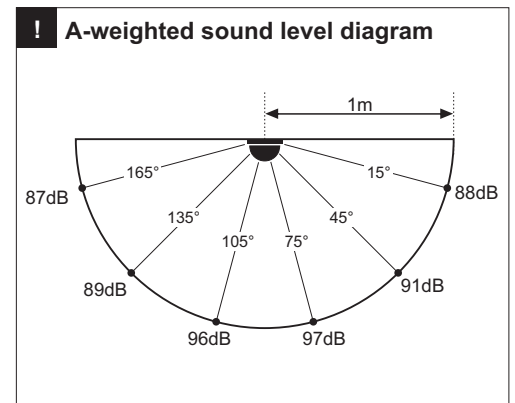
EN54-3/ 17/ 23

Supported Tone Types and Description

Tone	Tone Type	Tone Description / Application
1		970Hz
2		800Hz/970Hz @ 2Hz
3		800Hz - 970Hz @ 1Hz
4		970Hz 1s OFF/1s ON
5		970Hz, 0.5s/ 630Hz, 0.5s
6		554Hz, 0.1s/ 440Hz, 0.4s (AFNOR NF S 32 001)
7		500 - 1200Hz, 3.5s/ 0.5s OFF (NEN 2575:2000)
8		420Hz 0.625s ON/0.625s OFF (Australia AS1670 Alert tone)
9		500 - 1200Hz, 0.5s/ 0.5s OFF x 3/ 1.5s OFF (AS1670 Evacuation)
10		550Hz/440Hz @ 0.5Hz
11		970Hz, 0.5s ON/0.5s OFF x 3/ 1.5s OFF (ISO 8201)
12		2850Hz, 0.5s ON/0.5s OFF x 3/ 1.5s OFF (ISO 8201)
13		1200Hz - 500Hz @ 1Hz (DIN 33 404)
14		400Hz
15		550Hz, 0.7s/1000Hz, 0.33s
16		1500Hz - 2700Hz @ 3Hz
17		750Hz
18		2400Hz
19		660Hz
20		660Hz 1.8s ON/1.8s OFF
21		660Hz 0.15s ON/0.15s OFF
22		510Hz, 0.25s/ 610Hz, 0.25s
23		800/1000Hz 0.5s each (1Hz)
24		250Hz - 1200Hz @ 12Hz
25		500Hz - 1200Hz @ 0.33Hz
26		2400Hz - 2900Hz @ 9Hz
27*		2400Hz - 2900Hz @ 3Hz 2500Hz (main sound frequency)
28		800Hz - 970Hz @ 100Hz
29		800Hz - 970Hz @ 9Hz
30		800Hz - 970Hz @ 3Hz
31		800Hz, 0.25s ON/1s OFF
32		500Hz - 1200Hz, 3.75s/0.25s OFF (AS2220)

* Note: Approved to EN54-3 only!

Contact Information:



Installation

- IP21C (EN54-3)*
IP65 (EN60529)**
- 10°C ÷ +50°C
- ~183g
- Indoor use*
- Outdoor use**

* When used with base B124
** When used with base WSB IP65