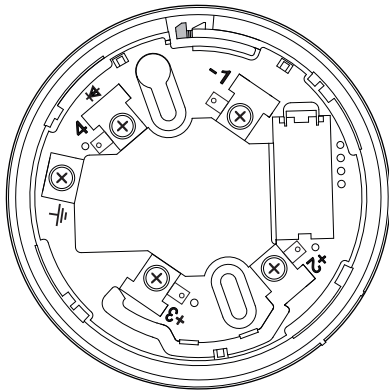
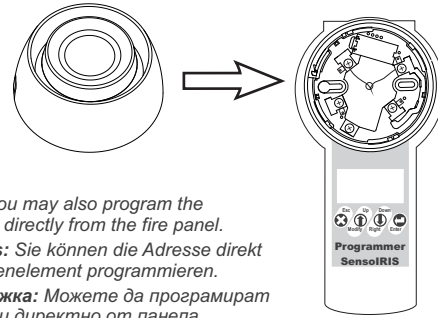


1 Base B124/ Socket B124/ Основа B124

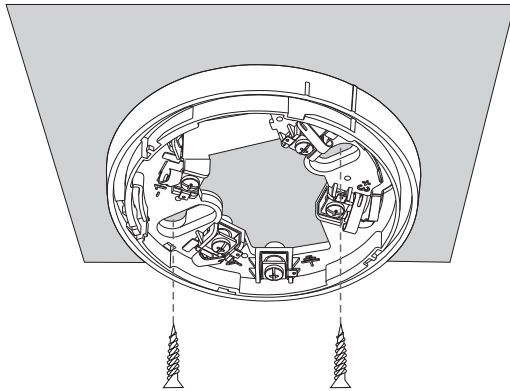


2 Address programming / Adresse programmieren / Програмиране на адрес

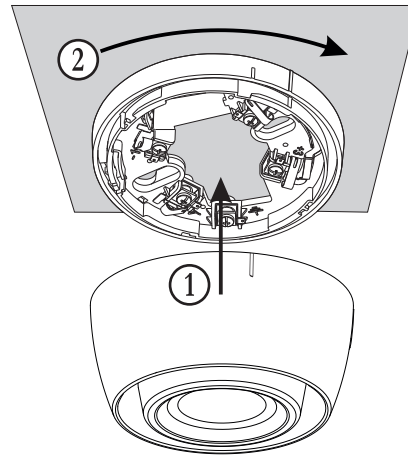


Note: You may also program the address directly from the fire panel.
Hinweis: Sie können die Adresse direkt im Bedienelement programmieren.
Забележка: Можете да програмират адреса и директно от панела.

3 Mounting Base B124/ Einbau des B124 Sockels/ Монтиране основа B124



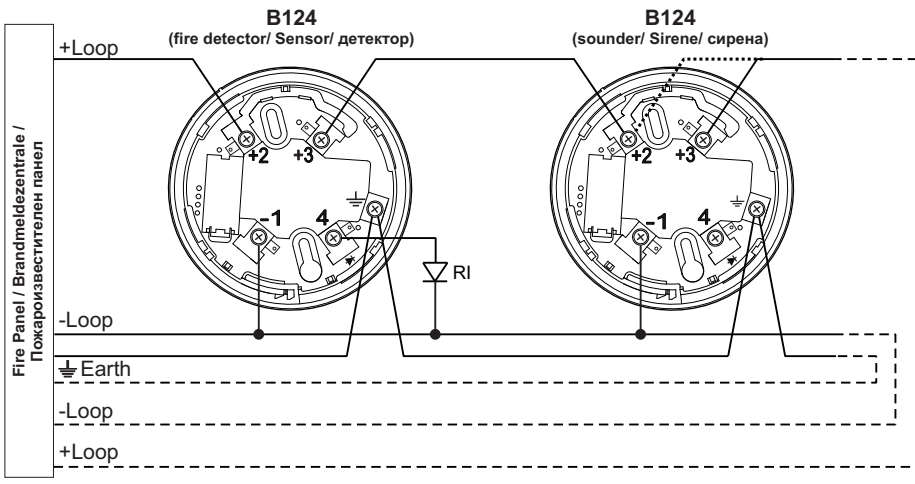
4 Mounting the sounder/ Wandmontage/ Монтиране на сирената



5 Tone types and description/ Tontypen und Beschreibung/ Видове звуци и описанието им

Tone	Tone Type	Tone Description / Application
1	—————	970Hz
2	▬▬▬▬▬▬	800Hz/970Hz @ 2Hz
3	▬▬▬▬▬▬	800Hz - 970Hz @ 1Hz
4	— — — —	970Hz 1s OFF/1s ON
5	▬▬▬▬▬▬	970Hz, 0.5s/ 630Hz, 0.5s
6	▬▬▬▬▬▬	554Hz, 0.1s/ 440Hz, 0.4s (AFNOR NF S 32 001)
7	▬▬▬▬▬▬	500 - 1200Hz, 3.5s/ 0.5s OFF (NEN 2575:2000)
8	— — — —	420Hz 0.625s ON/0.625s OFF (Australia AS1670 Alert tone)
9	▬▬▬▬▬▬	500 - 1200Hz, 0.5s/ 0.5s OFF x 3/1.5s OFF (AS1670 Evacuation)
10	▬▬▬▬▬▬	550Hz/440Hz @ 0.5Hz
11	— — — —	970Hz, 0.5s ON/0.5s OFF x 3/ 1.5s OFF (ISO 8201)
12	— — — —	2850Hz, 0.5s ON/0.5s OFF x 3/1.5s OFF (ISO 8201)
13	▬▬▬▬▬▬	1200Hz - 500Hz @ 1Hz (DIN 33 404)
14	—————	400Hz
15	▬▬▬▬▬▬	550Hz, 0.7s/1000Hz, 0.33s
16	▬▬▬▬▬▬	1500Hz - 2700Hz @ 3Hz
17	—————	750Hz
18	—————	2400Hz
19	—————	660Hz
20	— — — —	660Hz 1.8s ON/1.8s OFF
21	— — — —	660Hz 0.15s ON/0.15s OFF
22	▬▬▬▬▬▬	510Hz, 0.25s/ 610Hz, 0.25s
23	▬▬▬▬▬▬	800/1000Hz 0.5s each (1Hz)
24	▬▬▬▬▬▬	250Hz - 1200Hz @ 12Hz
25	▬▬▬▬▬▬	500Hz - 1200Hz @ 0.33Hz
26	▬▬▬▬▬▬	2400Hz - 2900Hz @ 9Hz
27	▬▬▬▬▬▬	2400Hz - 2900Hz @ 3Hz (2500Hz - main sound frequency/ Hauptfrequenz / основна честота)
28	▬▬▬▬▬▬	800Hz - 970Hz @ 100Hz
29	▬▬▬▬▬▬	800Hz - 970Hz @ 9Hz
30	▬▬▬▬▬▬	800Hz - 970Hz @ 3Hz
31	— — — —	800Hz, 0.25s ON/1s OFF
32	▬▬▬▬▬▬	600Hz - 1100Hz, 2.6s/0.4s OFF

1 Wiring Diagram / Schaltplan/ Схема на свързване



Legend/ Legende/ Легенда:

- Using the built-in isolator module/ Mit Anwendung des eingebauten Isolators/ Използване на вградения изолатор
- Not using the built-in isolator module/ Ohne Anwendung des eingebauten Isolators/ Без използване на вградения изолатор
- RI - Remote Indicator/ Signalleuchte (Fernindikator über der Tür)/ Надвратен индикатор
- +Loop - Positive loop wire/ Positiver Ausgang/ Положителен извод
- Loop - Negative loop wire/ Negativer Ausgang/ Отрицателен извод
- Earth - Earth point/ Erdungsausgang/ Заземителен извод