

SensolIRIS WSOU

Addressable Wall Mount Fire Sounder

EN54-3

Description

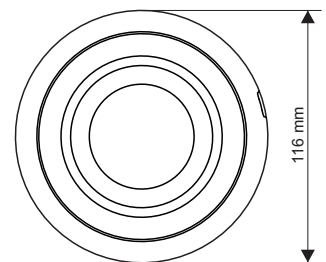
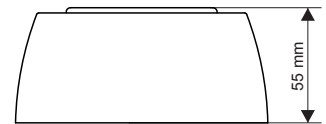
SensolIRIS WSOU is an addressable Wall Mount Sounder designed for installing in addressable fire alarm systems supporting TTE communication protocol. The device is powered on from the panel and can be controlled via the communication protocol. SensolIRIS WSOU is compatible with fire bases B124 for ceiling mounting and WSB IP65 for wall mounting.



Technical and Environmental Specifications

Operating Voltage Range 15 - 32VDC (Nom. 27VDC)
 Nominal consumption (stand-by) <500µA@27VDC
 Maximal consumption (main tone type 27):
 - low volume level <5mA
 - high volume level <16.5mA
 Maximal consumption (other tone types):
 - low volume level <4mA
 - high volume level <10mA
 Power volume (main tone type 27):
 - low volume ~ 80dB (A) ± 6dB @ 1m
 - high volume. ~ 92dB (A) ± 5dB @ 1m
 Power volume (other tone types):
 - low volume 75-85dB ± 3dB @ 1m
 - high volume. 80-95dB ± 3dB @ 1m
 Number of tone types 32
 Supported communication protocol. TTE
 Wire Gauge for terminals 2.5mm²
 Operating temperature. -10°C to +50°C
 Relative humidity resistance (93 ± 3)% @ 40°C
 Weight 183g
 Dimensions (without base). 116x55mm
 Color red
 Material ABS

CE¹⁷
1293
 DoP No: 007
 1293-CPR-0463 Rev.1
 Tested by EVPU



Packing Information

- **Packing box** - 1 unit SensolIRIS WSOU, dimensions 117x120x57 mm.
- **Carton box** - 40 units SensolIRIS WSOU, dimensions 520x250x367 mm.

Compatible Product Range

- **IRIS** - Addressable Fire Panel, 4 loops, 96 zones
- **SIMPO** - Addressable Fire Panel, 2 loops, 48 zones
- **SensolIRIS Programmer** - Address Programming Tool
- **SensolIRIS B124** - Standard Base, indoor mounting
- **SensolIRIS WSB IP65** - Waterproof IP65 Base, outdoor mounting

Contact Information:

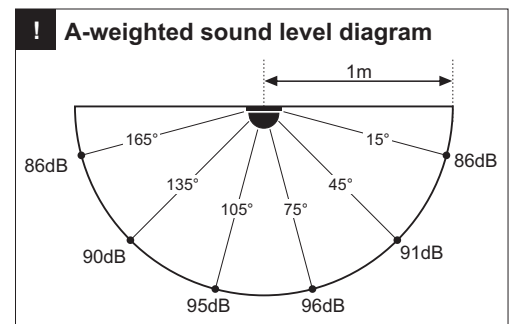
SensoIRIS WSOU

Addressable Wall Mount Fire Sounder

EN54-3

Supported Tone Types and Description

Tone	Tone Type	Tone Description / Application
1		970Hz
2		800Hz/970Hz @ 2Hz
3		800Hz - 970Hz @ 1Hz
4		970Hz 1s OFF/1s ON
5		970Hz, 0.5s/ 630Hz, 0.5s
6		554Hz, 0.1s/ 440Hz, 0.4s (AFNOR NF S 32 001)
7		500 - 1200Hz, 3.5s/ 0.5s OFF (NEN 2575:2000)
8		420Hz 0.625s ON/0.625s OFF (Australia AS1670 Alert tone)
9		500 - 1200Hz, 0.5s/ 0.5s OFF x 3/1.5s OFF (AS1670 Evacuation)
10		550Hz/440Hz @ 0.5Hz
11		970Hz, 0.5s ON/0.5s OFF x 3/ 1.5s OFF (ISO 8201)
12		2850Hz, 0.5s ON/0.5s OFF x 3/1.5s OFF (ISO 8201)
13		1200Hz - 500Hz @ 1Hz (DIN 33 404)
14		400Hz
15		550Hz, 0.7s/1000Hz, 0.33s
16		1500Hz - 2700Hz @ 3Hz
17		750Hz
18		2400Hz
19		660Hz
20		660Hz 1.8s ON/1.8s OFF
21		660Hz 0.15s ON/0.15s OFF
22		510Hz, 0.25s/ 610Hz, 0.25s
23		800/1000Hz 0.5s each (1Hz)
24		250Hz - 1200Hz @ 12Hz
25		500Hz - 1200Hz @ 0.33Hz
26		2400Hz - 2900Hz @ 9Hz
27		2400Hz - 2900Hz @ 3Hz 2500Hz (main sound frequency)
28		800Hz - 970Hz @ 100Hz
29		800Hz - 970Hz @ 9Hz
30		800Hz - 970Hz @ 3Hz
31		800Hz, 0.25s ON/1s OFF
32		500Hz - 1200Hz, 3.75s/0.25s OFF (AS2220)



Installation

- IP43C (EN54-3)*
IP65 (EN60529)**
- 10°C ÷ +50°C
- ~183g
- Indoor use*
- Outdoor use**

* When used with base B124
** When used with base WSB IP65

Contact Information: