

SensoIRIS MIO22M Input-Output Module

EN54-18/ 17

Description

SensoIRIS MIO22M is an addressable input-output module. The module monitors 2 analogue input signals and controls 2 relay outputs. The outputs can be set to be a monitored or a non-monitored via jumpers on the module's PCB.

The active state of the monitored outputs can be programmed for operation in Normal or Inverted Mode via the panel programming menus.

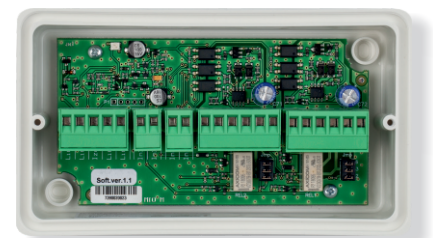
SensoIRIS MIO22M is powered on from the fire panel and can be controlled via the communication protocol. When an output is set as monitored, it must be powered on from an external power supply unit (see the connection diagrams).

The module has a built-in isolator module which when used allows continuous operation of the loop in case of module's failure and without need of using additional isolator modules.

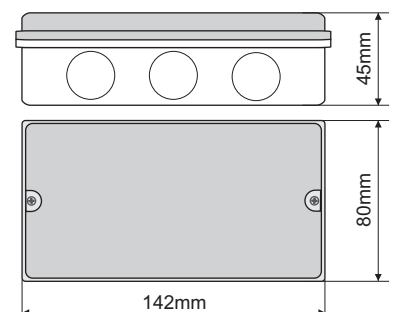
The module is mounted in a separate small plastic box suitable for wall mounting, with transparent cover for visual inspection.

Technical and Environmental Specifications

- Operating voltage 16 ÷ 32VDC
- Outputs, electrical characteristics (max) DC 30V/2A; AC 125V/0.5A
- Consumption - two non-monitored outputs:
 - Nom. current consumption < 0.87mA@27VDC
 - Current consumption with 1 LED on 3.9mA
 - Current consumption with 2 LEDs on 7.2mA
- Consumption - two monitored outputs:
 - Nom. current consumption < 1.03mA@27VDC
 - Current consumption with 1 LED on 4.15mA
 - Current consumption with 2 LEDs on 7.2mA
- Wire gauge for terminals 0.4mm² - 2.0mm²
- Operating temperature. -10°C to +60°C
- Relative humidity resistance (93 ± 3)% @ 40°C
- Protection IP40
- Weight ~180g
- Enclosure box (Material, color, model) ABS, Grey
- Dimensions 142x80x45mm



DoP No: 124



Packing Information

- **Single packing** - 1 unit SensoIRIS MIO22M, dimensions 145x84x50mm
- **Carton packing box** - 48 units SensoIRIS MIO22M, dimensions 510x320x200mm

Compatible Product Range

- **IRIS/IRIS PRO** - Addressable Fire Panel, plastic/metal box, 4 loops, 96 zones
- **IRIS8** - Addressable Fire Panel, metal box, 8 loops, 200 zones
- **SIMPO** - Addressable Fire Panel, metal box, 2 loops, 48 zones
- **SensoIRIS Programmer** - Address Programming Tool

Contact Information

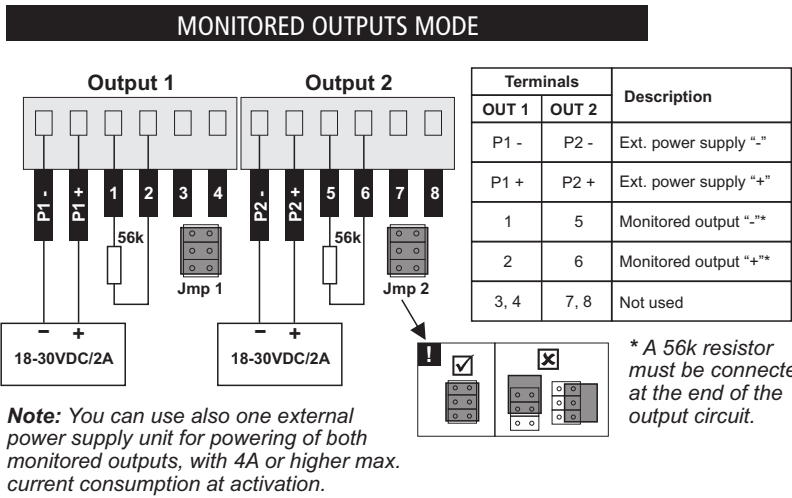
SensoIRIS MIO22M Input-Output Module

EN54-18/ 17

Connection Diagrams

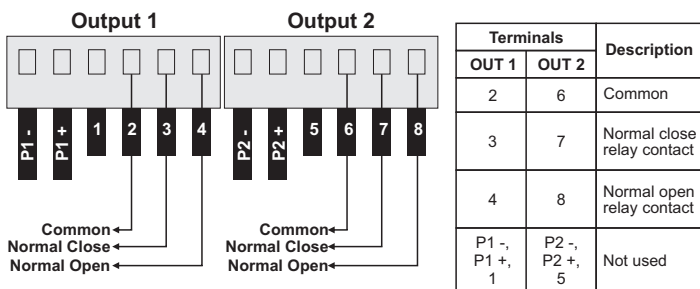
a) Outputs connection

ATTENTION: The monitored outputs mode is set by default - at terminals Jmp1 and Jmp2 are set jumpers. Every setting or removing of the jumpers must be provided with POWERING OFF the module from the loop line and external power supply.

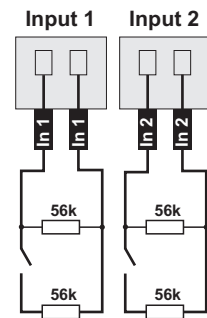


NON-MONITORED OUTPUTS MODE

ATTENTION: NO JUMPERS SET TO Jmp1 and Jmp 2 terminals.



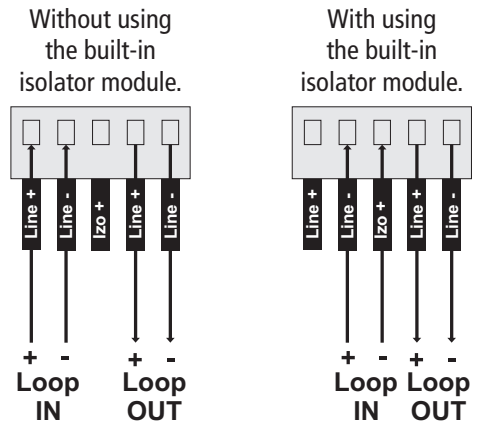
b) Inputs connection



In 1 - Terminals for INPUT 1
In 2 - Terminals for INPUT 2

Use 56k balancing resistors for realizing connection of control devices to the module inputs.

c) Loop connection



Line +: Positive loop line;
Line -: Negative loop line.

Contact Information